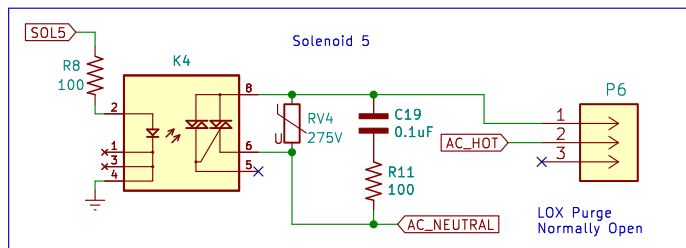
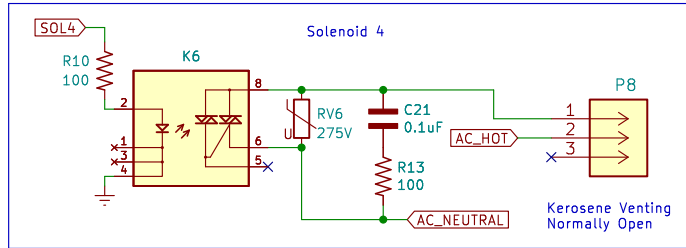
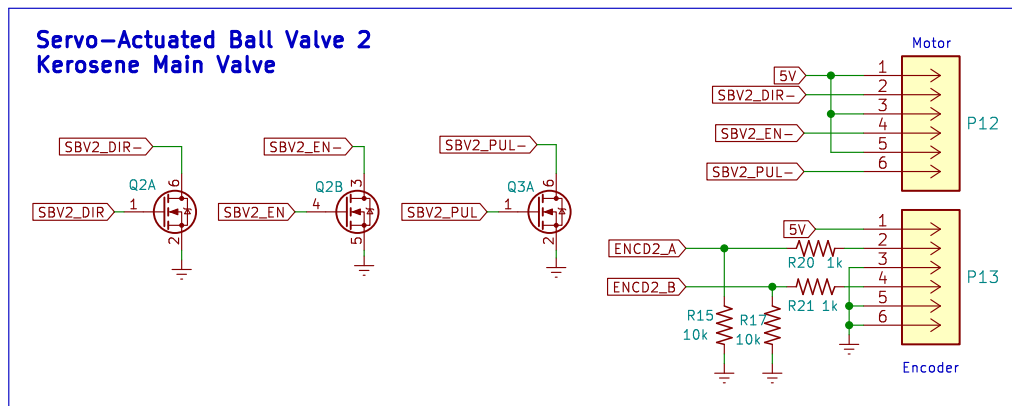
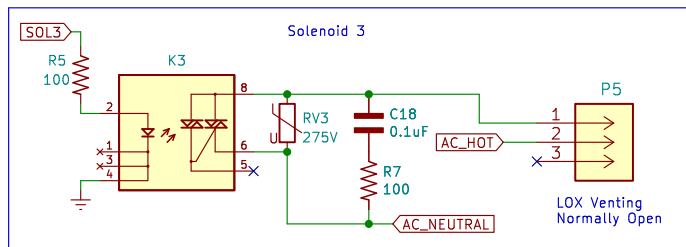
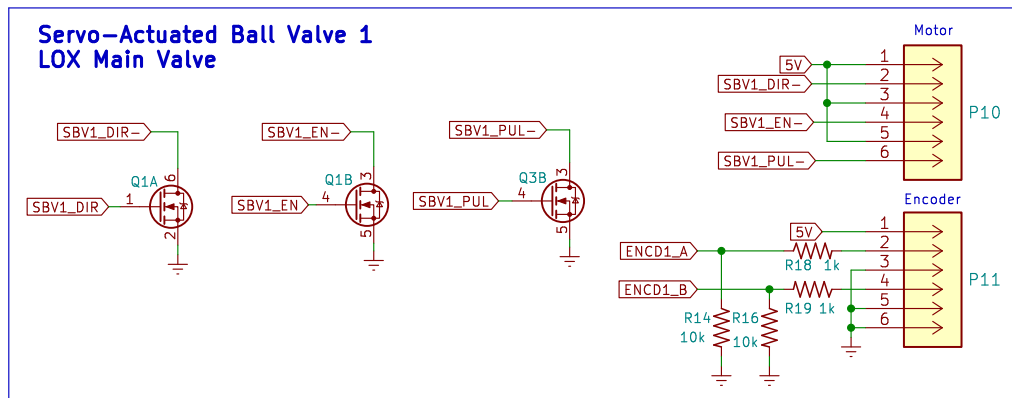
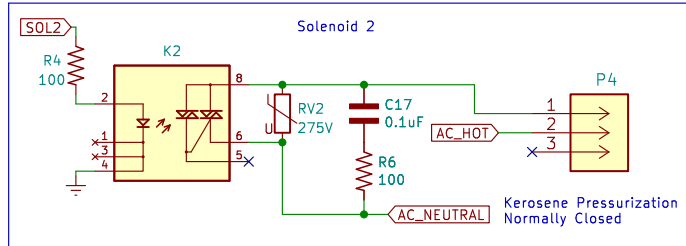
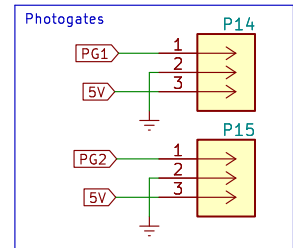
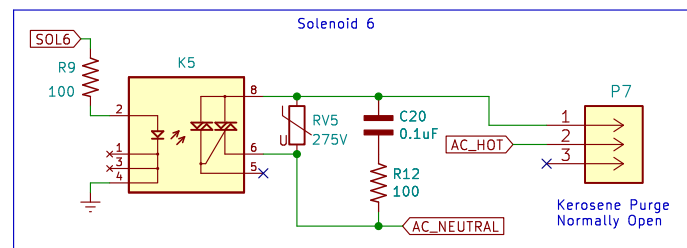
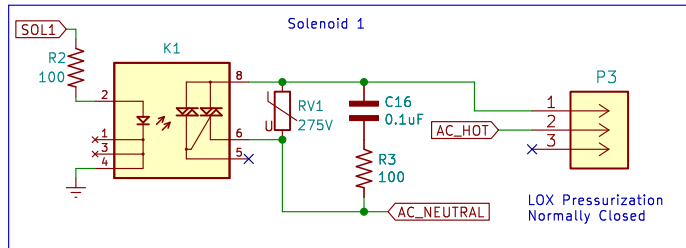
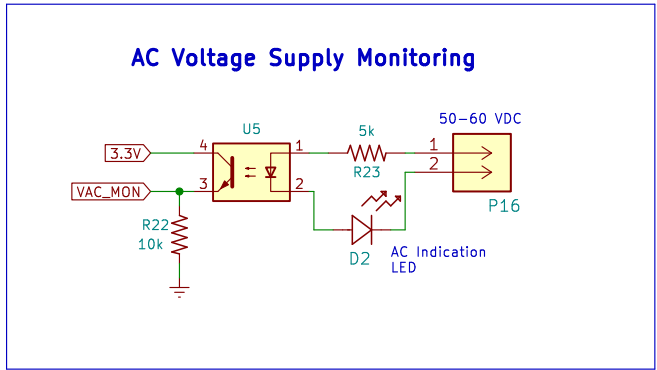
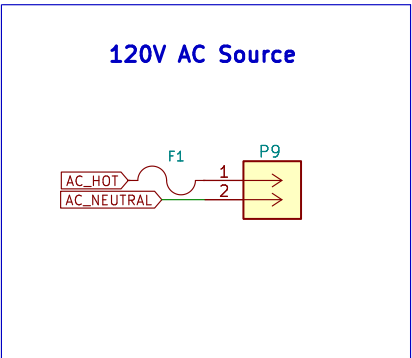
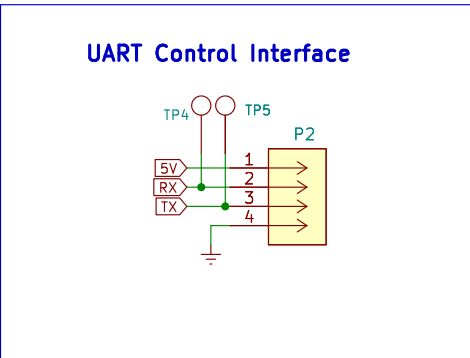
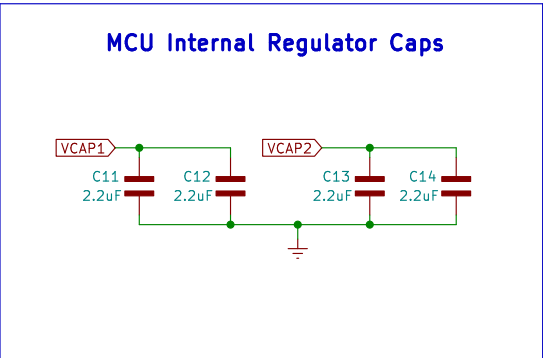
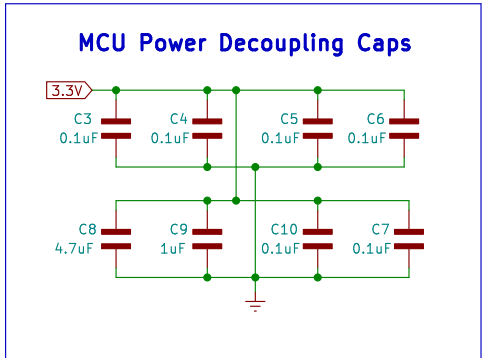
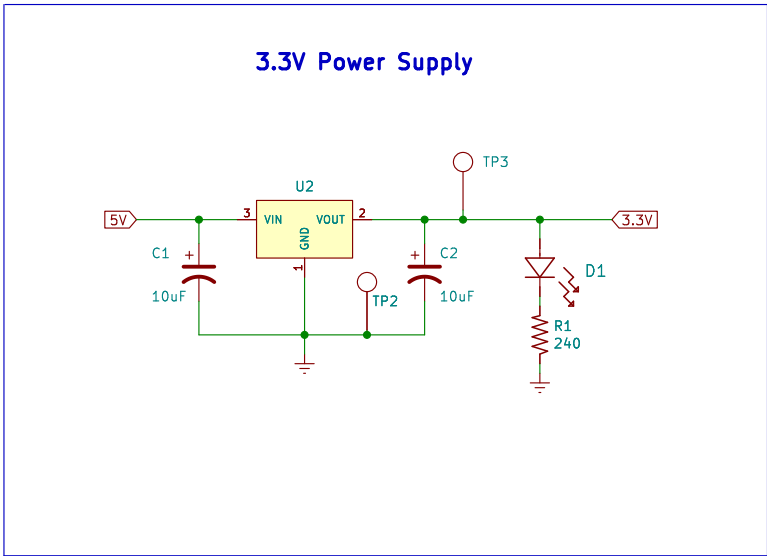
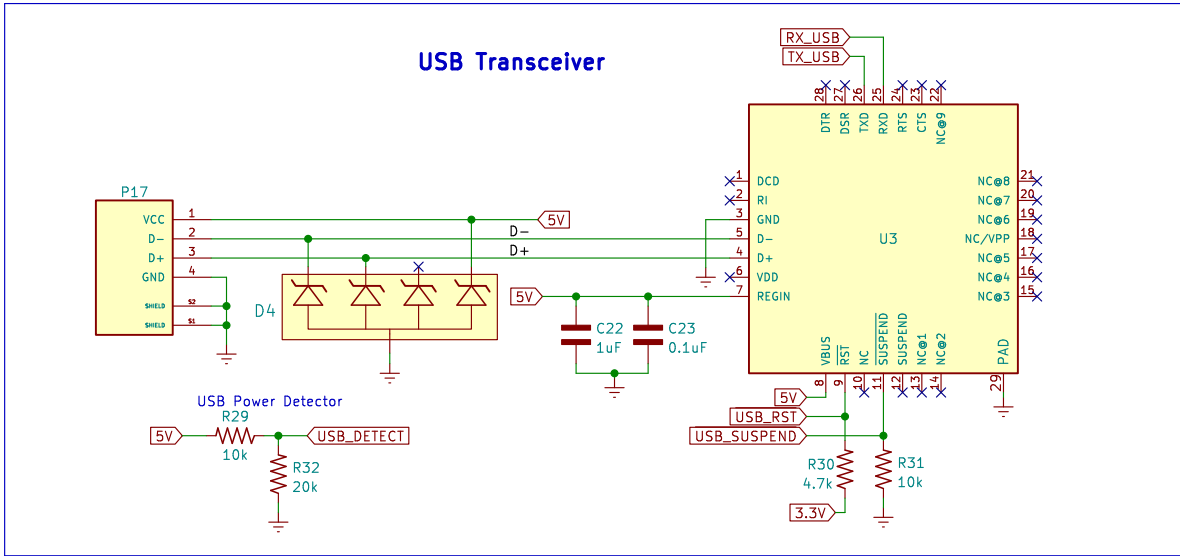


Author: Colton Acosta
 Avionics Team
Sun Devil Rocketry
 Sheet: /
 File: L0005-Valve-Controller.kicad_sch
Title: L0005 Valve Controller



Sheet: /Valves/	
File: Valves.kicad_sch	
Title: Valves	
Size: A4	Date: 2021-12-25
KiCad E.D.A. kicad 7.0.1	Rev: 1.0
	Id: 2/3



Sheet: /Power/		File: power.kicad_sch	
Title:			
Size: A4	Date:		
KiCad E.D.A. kicad 7.0.1	Rev:	Id: 3/3	