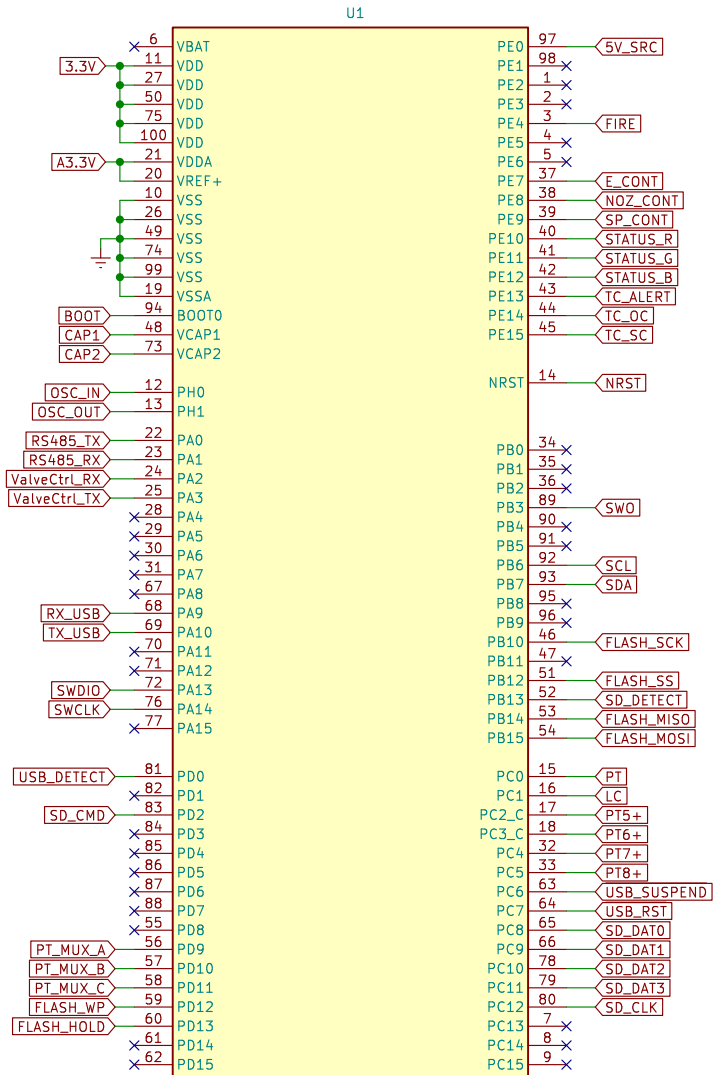
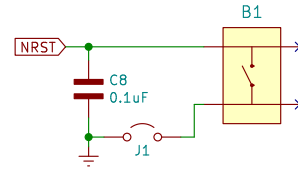


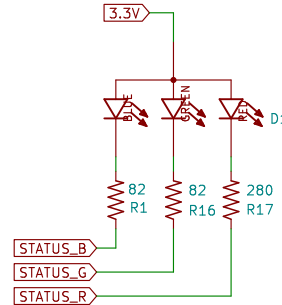
Microcontroller



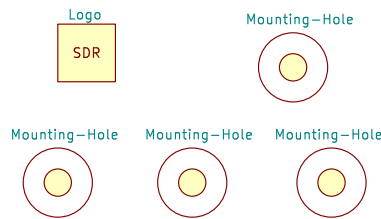
MCU Reset



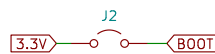
Firmware Status LED



Miscellaneous



Boot Setting



Power

File: power.kicad_sch

Flash

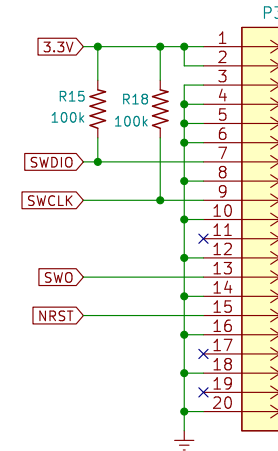
USB

SD Card

Ignition

Valve Controller

SWD Programmer



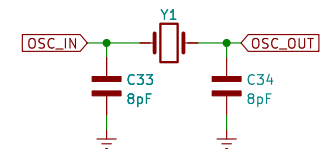
Sensors

File: Sensors.kicad_sch

RTDs

File: rtd.kicad_sch

Crystal Oscillator



Author: Colton Acosta
Sun Devil Rocketry

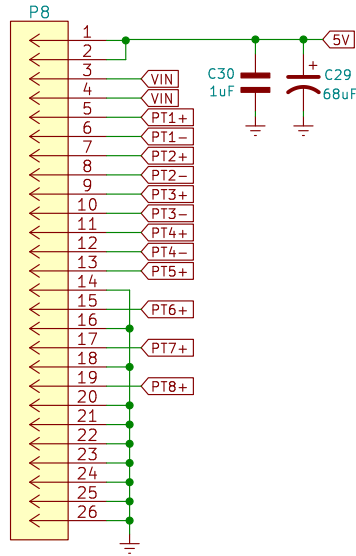
Sheet: /
File: Engine-Controller.kicad_sch

Title: Engine Controller Microcontroller Board

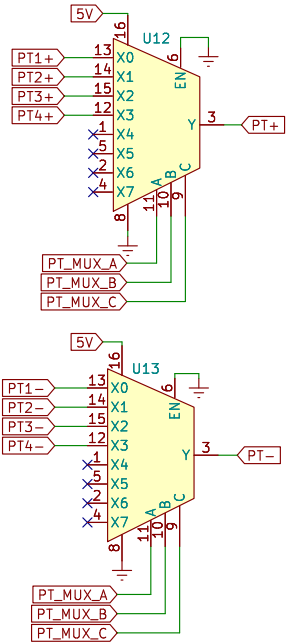
Size: A4 Date: 2021-06-26
KiCad E.D.A. kicad 7.0.1

Rev: 1.0
Id: 1/5

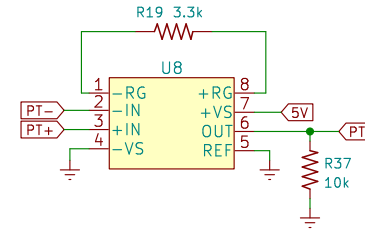
Pressure Transducer Connectors



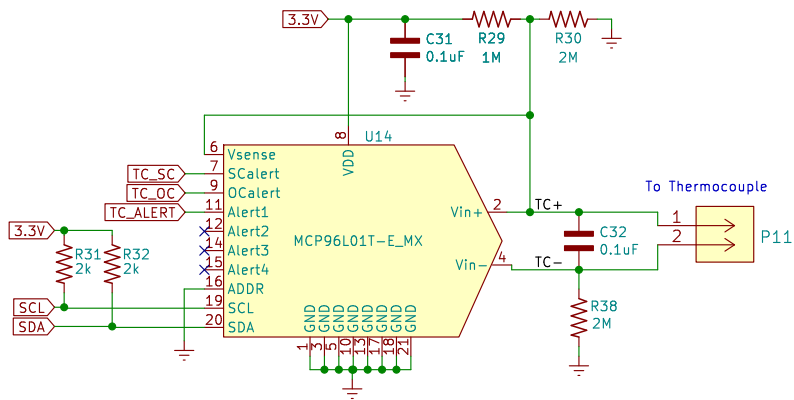
PT Analog Multiplexers



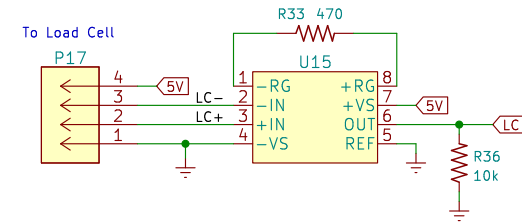
Pressure Transducer Amplifier



Thermocouple Cold Junction Compensation



Load Cell Amplifier



Sheet: /Sensors/
File: Sensors.kicad_sch

Title:

Size: A4
KiCad E.D.A. kicad 7.0.1

Date:

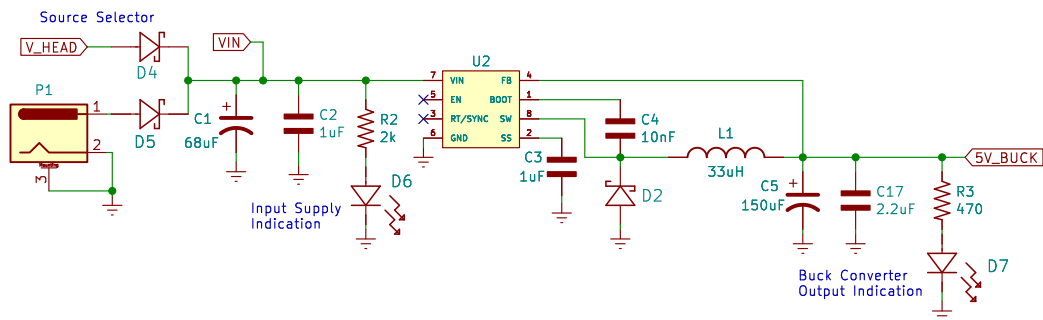
Rev:
Id: 4/5

	1	2	3	4	5	6
A						A
B						B
C						C
D						D
	1	2	3	4	5	6

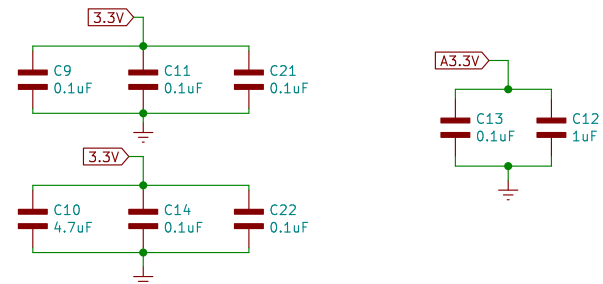


Sheet: /RTDs/			
File: rtd.kicad_sch			
Title:			
Size: A4	Date:		Rev:
KiCad E.D.A. kicad 7.0.1			Id: 5/5

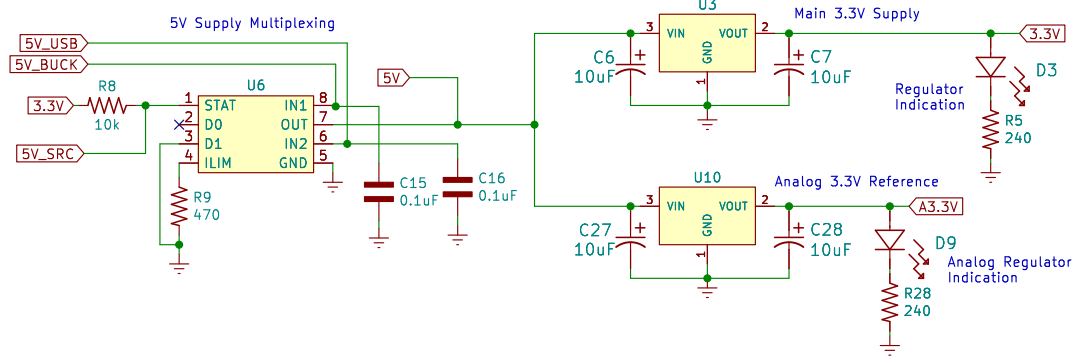
5V Buck Converter



Microcontroller Decoupling Caps



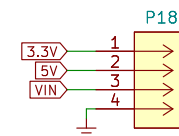
3.3V Supply



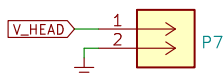
MCU Internal Regulator Caps



Power Pin Header



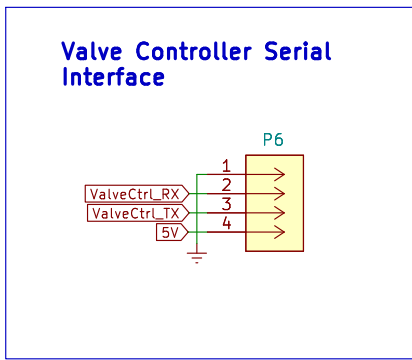
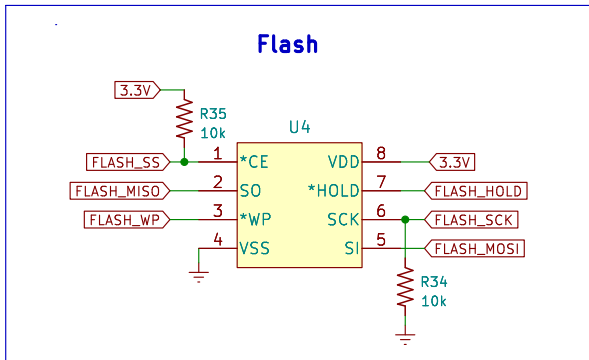
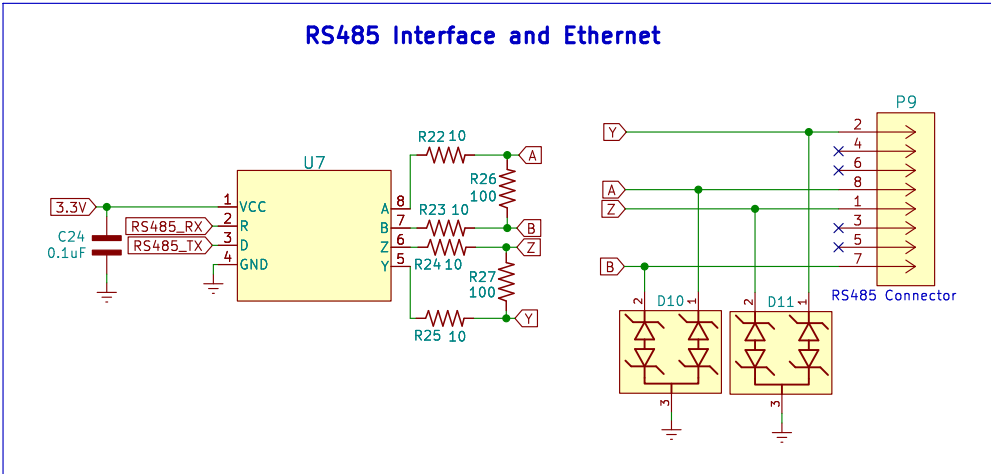
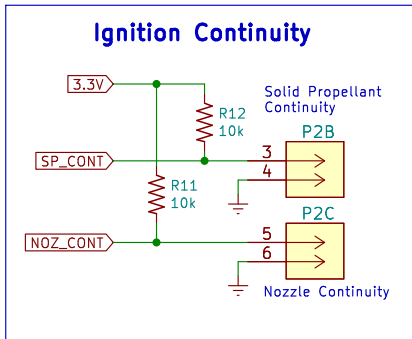
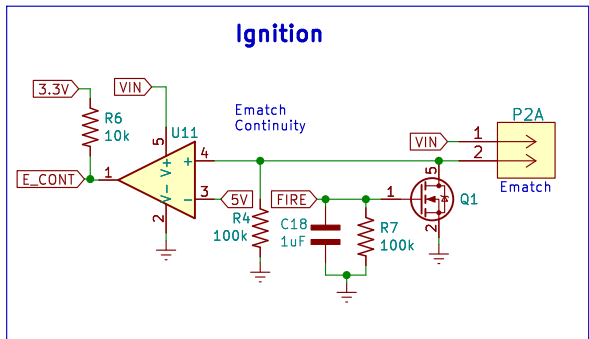
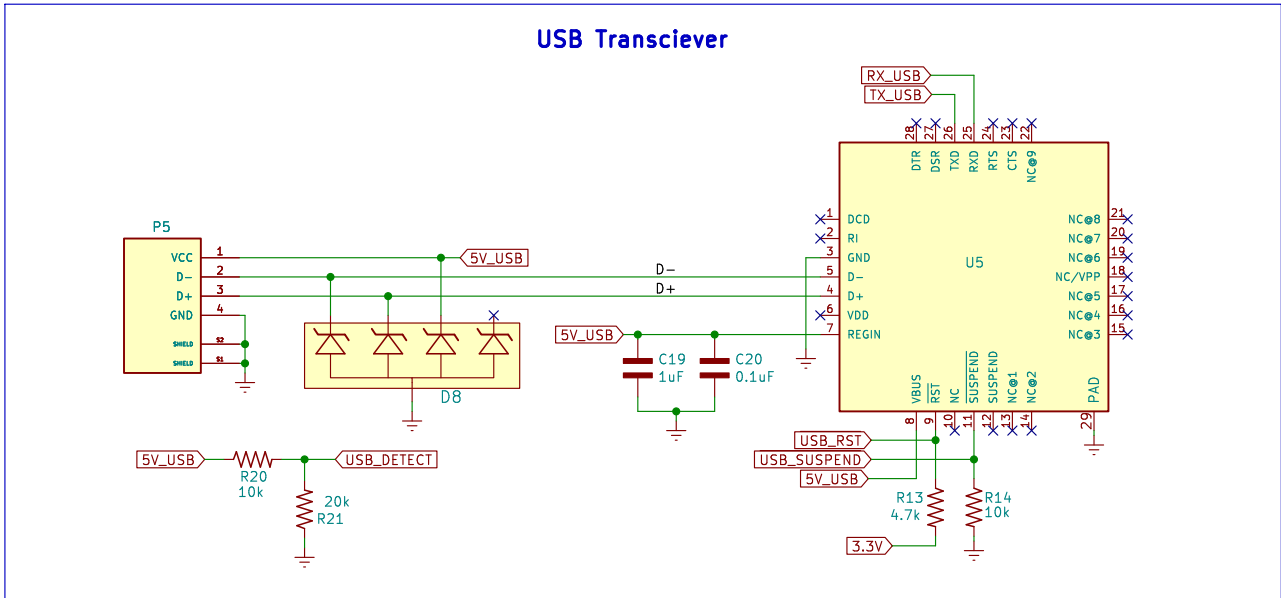
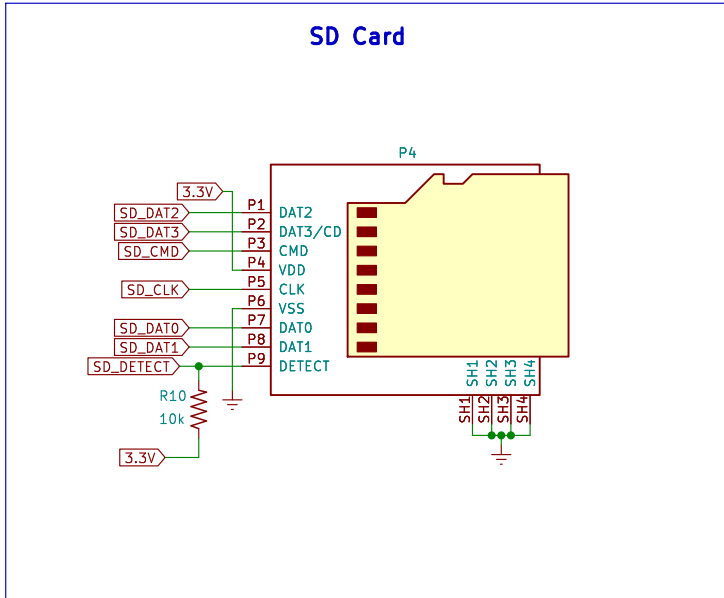
Power Connector



Author: Colton Acosta
Sun Devil Rocketry
 Sheet: /Power/
 File: power.kicad_sch

Title: Engine Microcontroller Power Supply

Size: A4	Date:	Rev: 1.0
KiCad E.D.A. kicad 7.0.1		Id: 6/5



Sheet: /Page2/
File: Page2.kicad_sch

Title:

Size: A4 Date:
KiCad E.D.A. kicad 7.0.1

Rev:
Id: 6/5