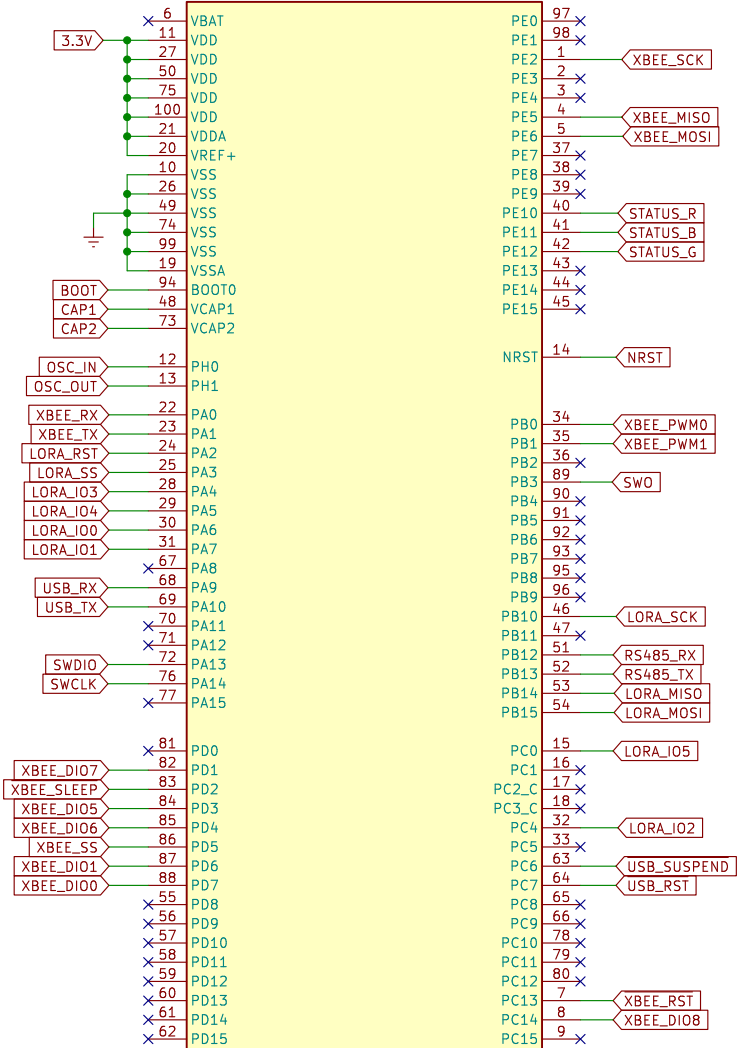
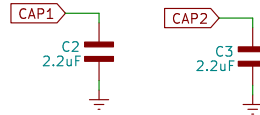


## Microcontroller

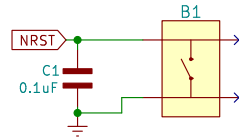
U1



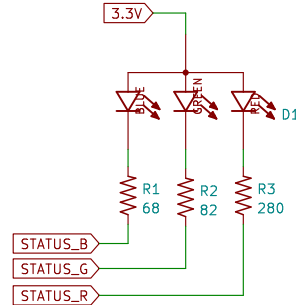
## MCU Regulator Caps



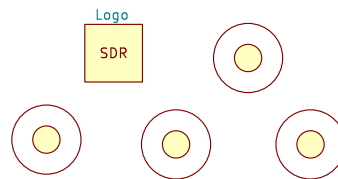
## MCU Reset



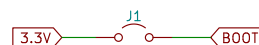
## Firmware Status LED



## Miscellaneous



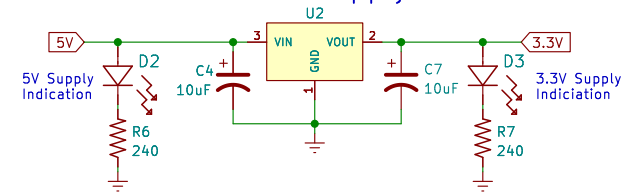
## Boot Setting



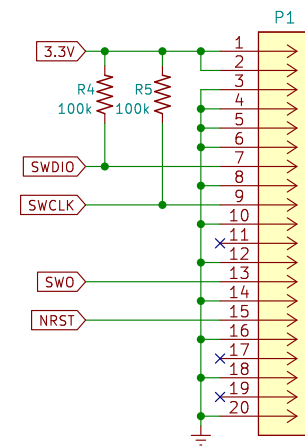
## Connectivity

File: Connectivity.kicad\_sch

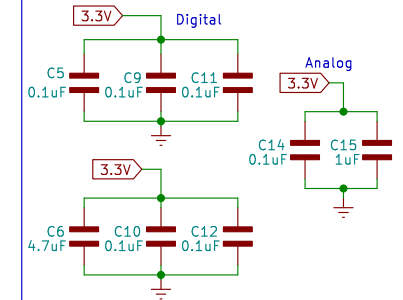
## Power Supply



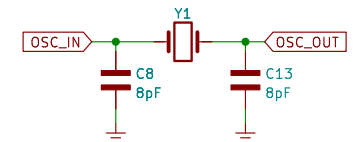
## SWD Programmer



## MCU Decoupling Caps



## Crystal Oscillator



Author: Colton Acosta

Sun Devil Rocketry Avionics

Sheet: /

File: Ground-Station-Telemetry.kicad\_sch

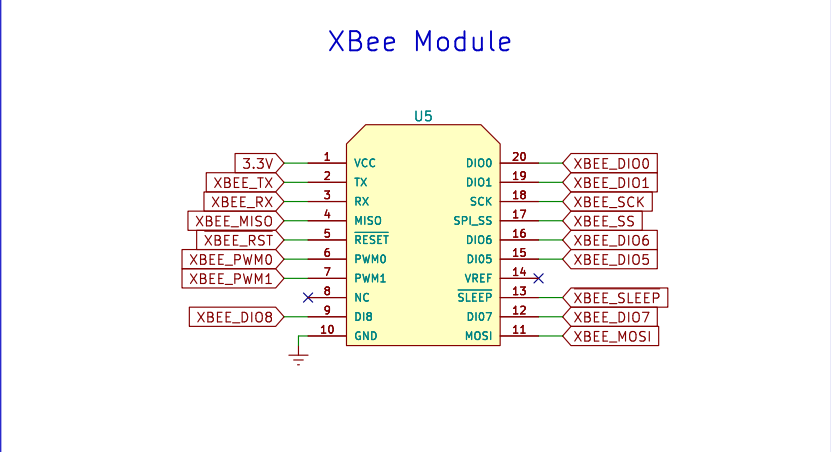
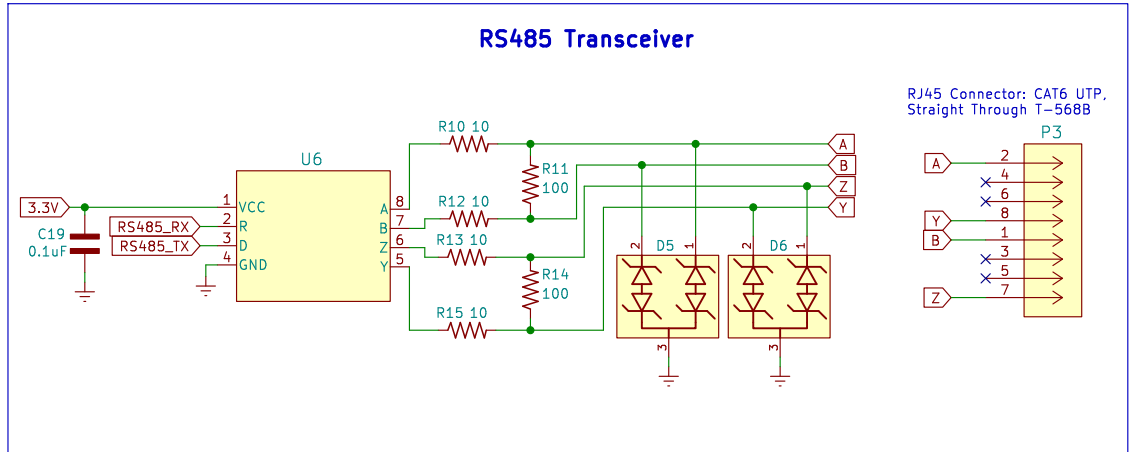
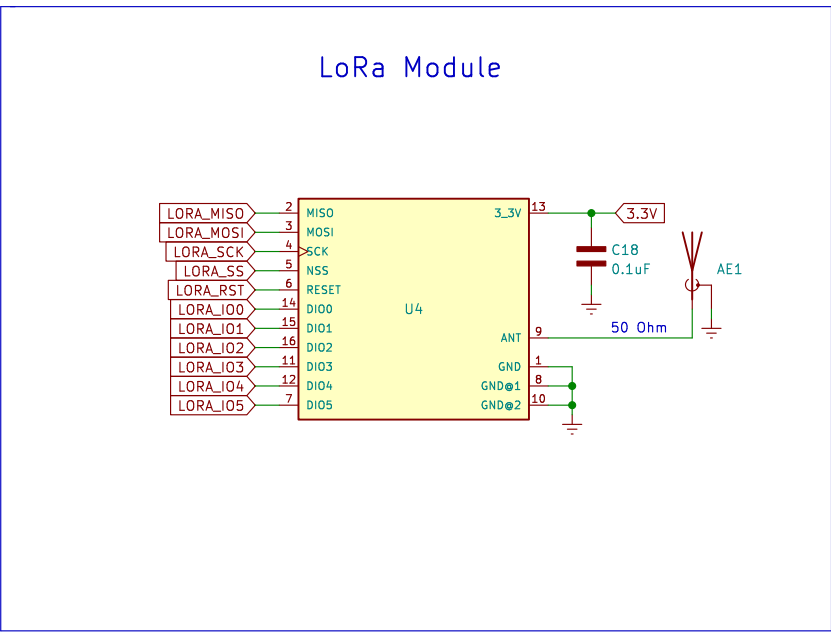
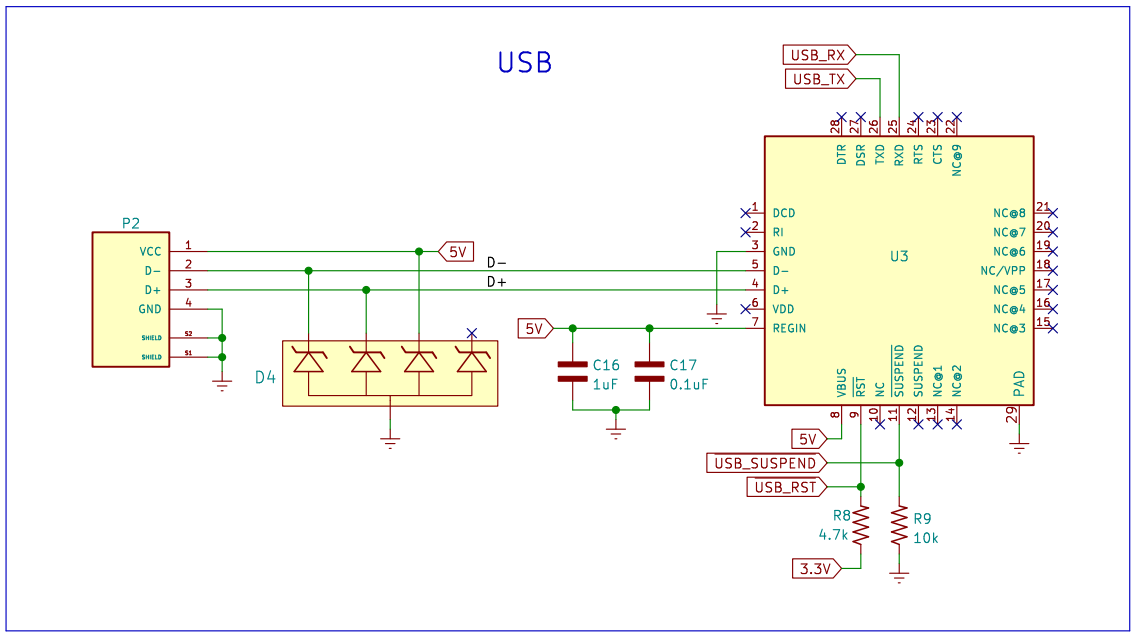
**Title: Ground Station Telemetry Unit**

Size: A4 Date: 2022-10-10

KiCad E.D.A. kicad 7.0.1

Rev: 1.0

Id: 1/2



Sheet: /Connectivity/  
 File: Connectivity.kicad\_sch

**Title:**

Size: A4      Date:

KiCad E.D.A. kicad 7.0.1      **Rev:** 2/2