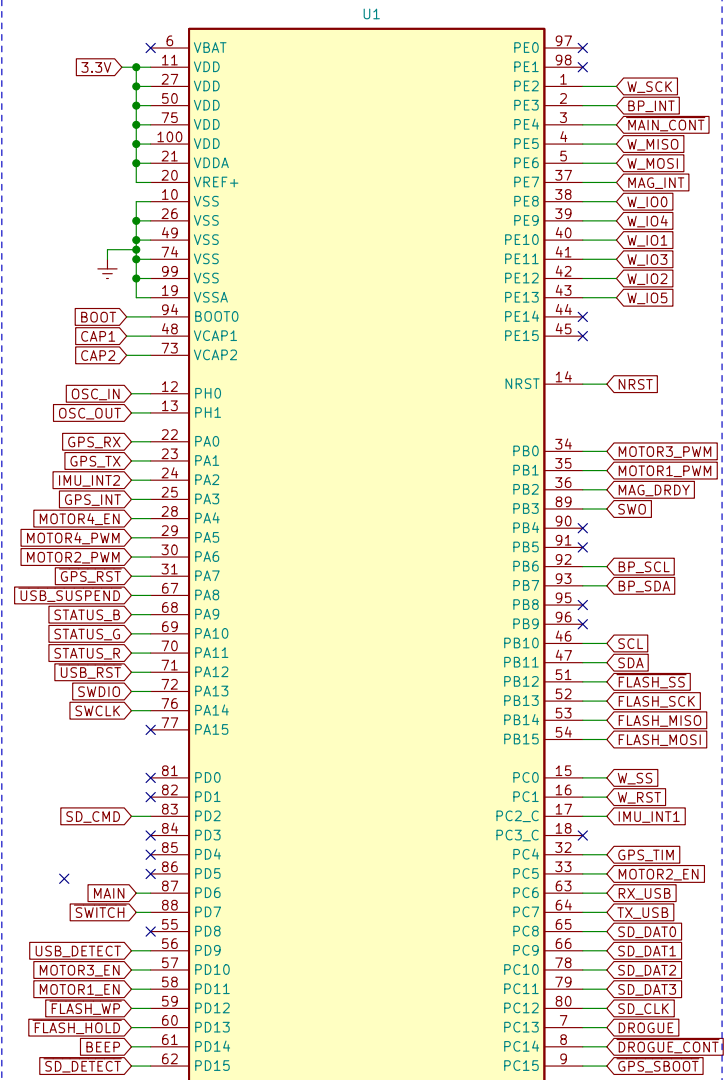
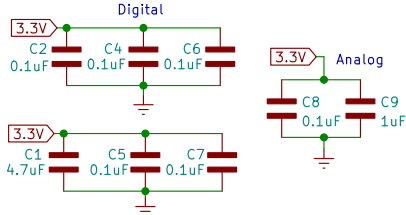


## Microcontroller



## MCU Decoupling Caps



## Peripherals

- USB
- Flash
- Parachute Deployment
- Wireless
- Buzzer

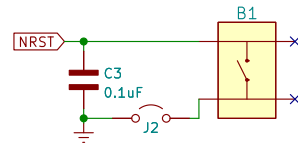
File: peripherals.kicad\_sch

## Navigation and Control

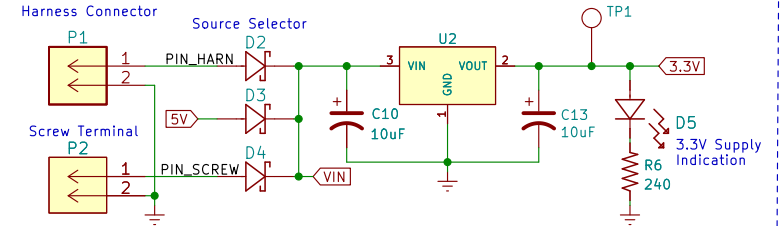
- Pressure
- GPS
- IMU
- Temperature
- Motor Driver
- Magnetometer

File: sensors.kicad\_sch

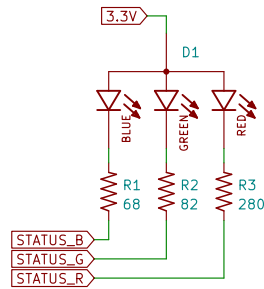
## MCU Reset



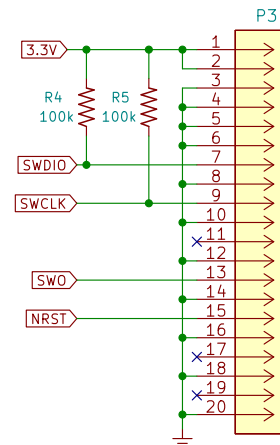
## 3.3V Power Supply



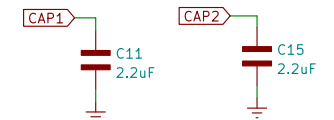
## Firmware Status LED



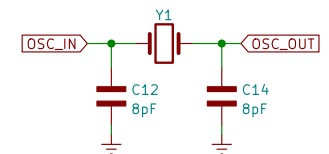
## SWD Programmer



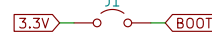
## MCU Internal Regulator Caps



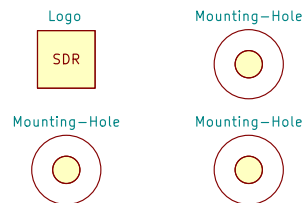
## Crystal Oscillator



## Boot Setting



## Miscellaneous



Author: Colton Acosta  
Sun Devil Rocketry

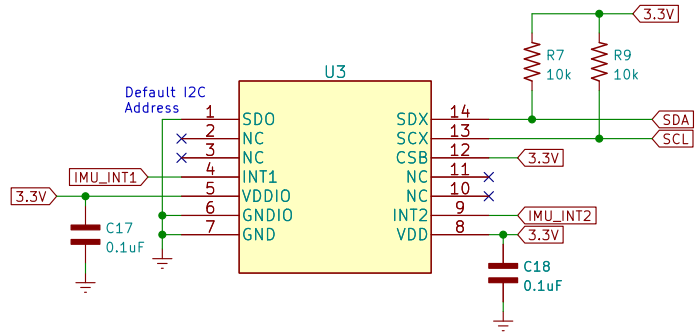
Sheet: /  
File: Flight-Computer.kicad\_sch

**Title: Flight Computer**

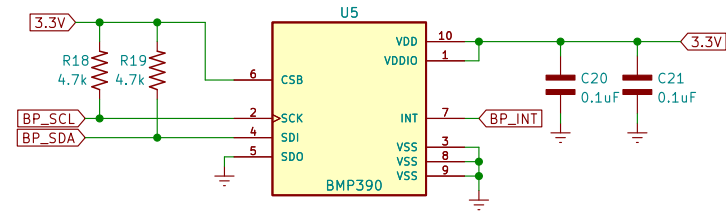
Size: A4 Date: 2022-05-30  
KiCad E.D.A. kicad (6.0.9)

Rev: 1.0  
Id: 1/3

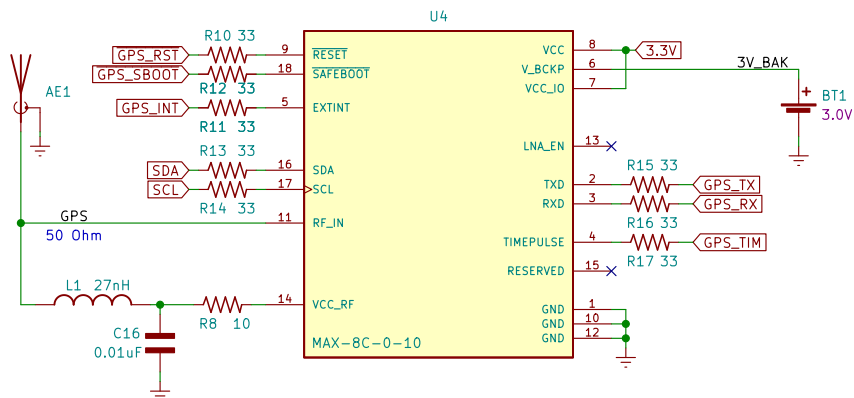
### Inertial Measurement Unit



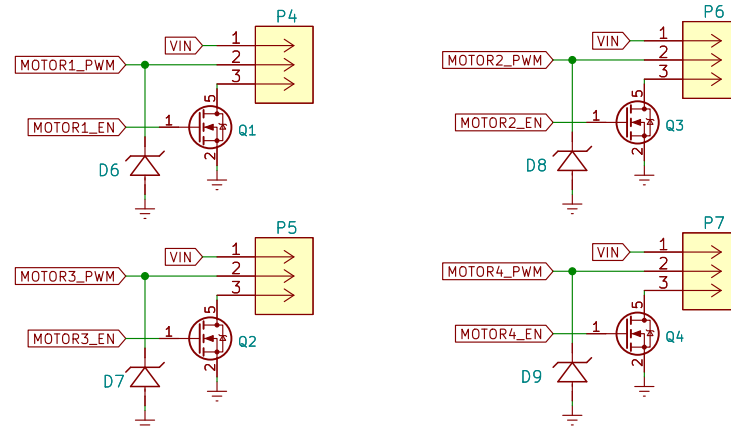
### Barometric Pressure Sensor and Temperature Sensor



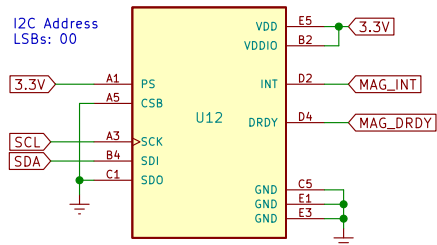
### GPS Module



### Servo Motor PWM Interface



### Magnetometer



Sheet: /Navigation and Control/  
File: sensors.kicad\_sch

#### Title:

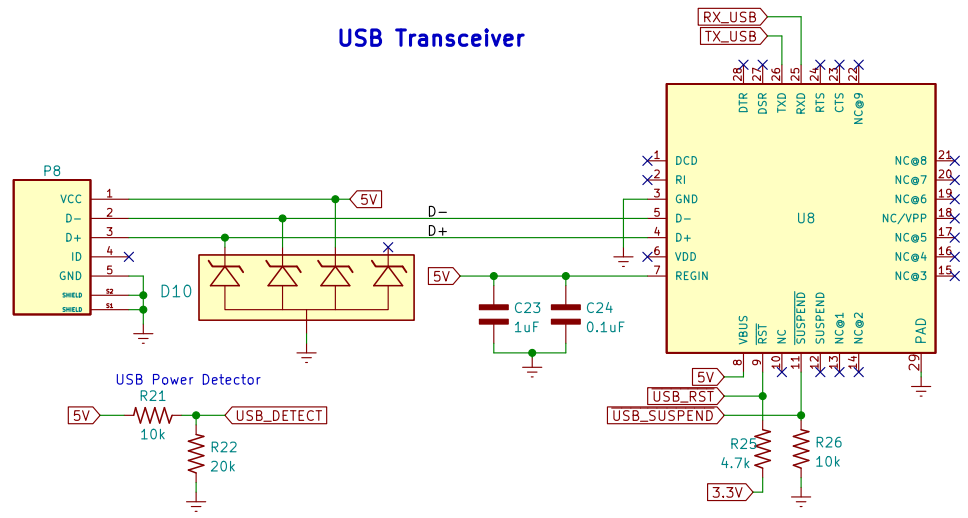
Size: A4  
KiCad E.D.A. kicad (6.0.9)

Date:

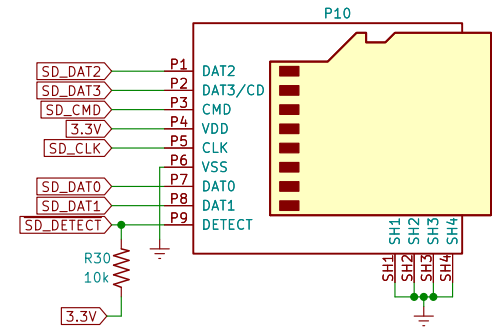
Rev:

Id: 3/3

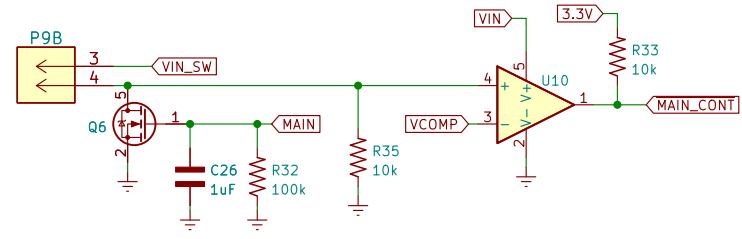
### USB Transceiver



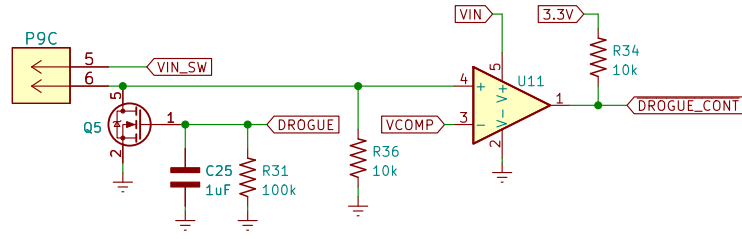
### Micro-SD Card



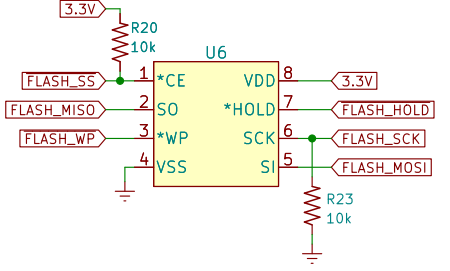
### Main Chute Deployment



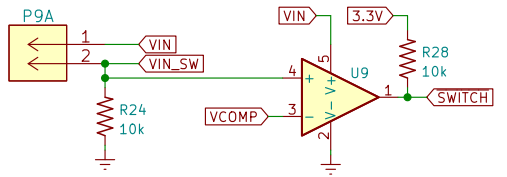
### Drogue Chute Deployment



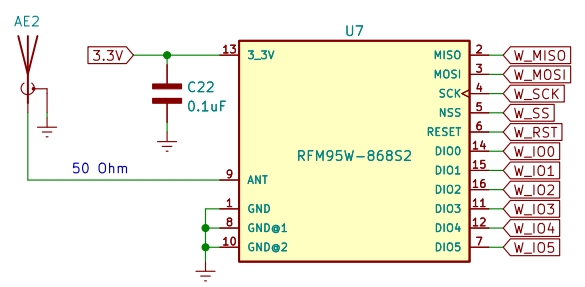
### Flash



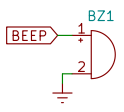
### Arming Switch



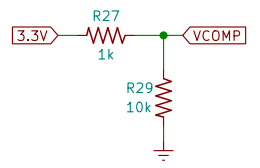
### LoRa Module



### Buzzer



### Comparator Reference Voltage



Sheet: /Peripherals/  
File: peripherals.kicad\_sch

<b>Title:</b>	
Size: A4	Date:
KiCad E.D.A. kicad (6.0.9)	
Rev:	Id: 4/3